

**ADDENDUM NO. 3**  
**WEBSTER DRAIN**  
**SAGINAW COUNTY, MICHIGAN**

**TO: ALL PROSPECTIVE BIDDERS ON THE SUBJECT PROJECT**  
**RE: CHANGES TO BIDDING DOCUMENTS**

*Acknowledge Receipt of this Addendum on Page C-410-1  
of the Bidform (Proposal) where indicated.*

The following is a list of changes to the bidding documents:

1. Addendum No. 3 has been emailed or made available to you through the Saginaw County Public Works website on Thursday, October 22<sup>nd</sup>, 2020.
2. Enclosed please find the following revised plan sheets:
  - DR-3179-10
3. The following clarifications are being made:
  - All road and drive restoration shall be included in the unit price bid per linear foot for any culvert or storm sewer being installed. Concrete driveway restoration shall follow the Concrete Driveway Repair Detail shown on DR-3179-10 on the enclosed plan sheet.

Note all clarifications and changes contained within this Addendum and/or the Pre-Bid meeting minutes supersede any data that may be contained in the plans and specifications regarding the same matter.

An unsigned acknowledgement or lack of acknowledgement shall be cause to have the bid rejected. Acknowledgment of the Addendum No. 3 by the bidder shall indicate full understanding and acceptance of this addendum in its entirety.

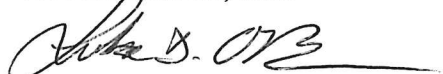
Please sign the Acknowledgment below and attach this Addendum No. 3 to the front of your bidding document. Acknowledge the same in the Bid Form (Proposal).

Included with the sealed bid should be:

- A. The Bid Form with Addendum No. 3 acknowledged
- B. A copy of this Addendum with the Acknowledgement Form completed

Prepared by:

SPICER GROUP, INC.

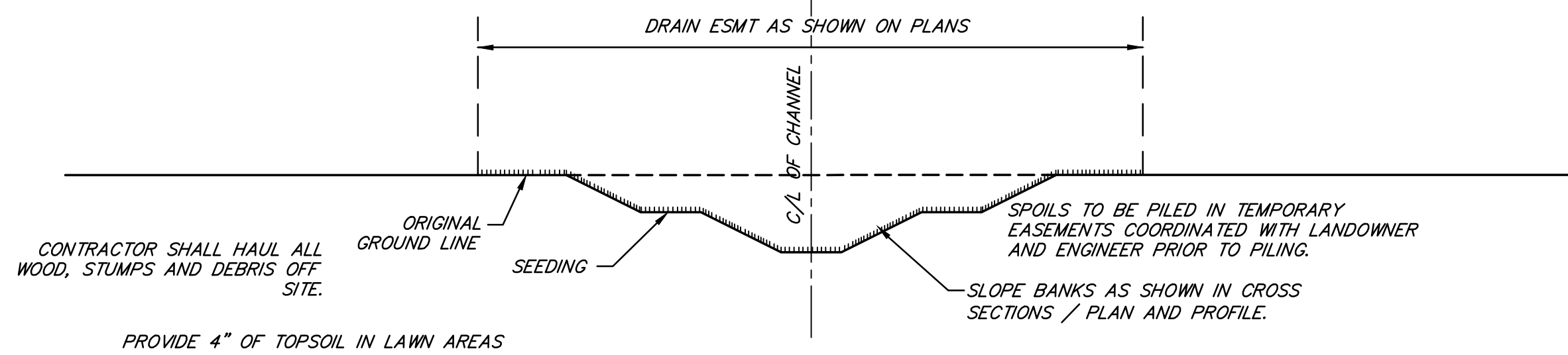


Luke D. O'Brien, P.E.  
Project Manager

**ACKNOWLEDGMENT**

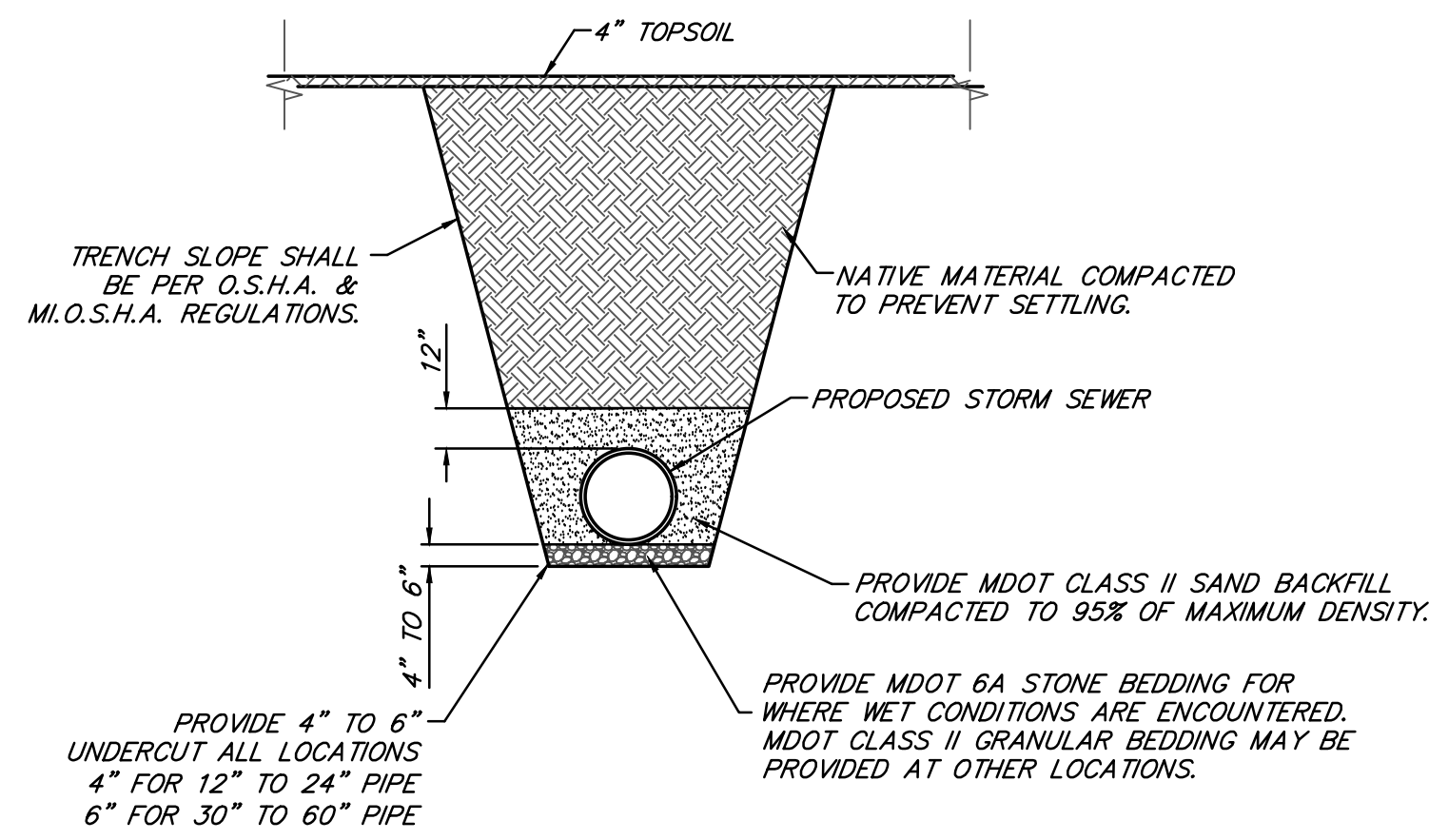
BIDDER: \_\_\_\_\_  
BY: \_\_\_\_\_  
DATE: \_\_\_\_\_





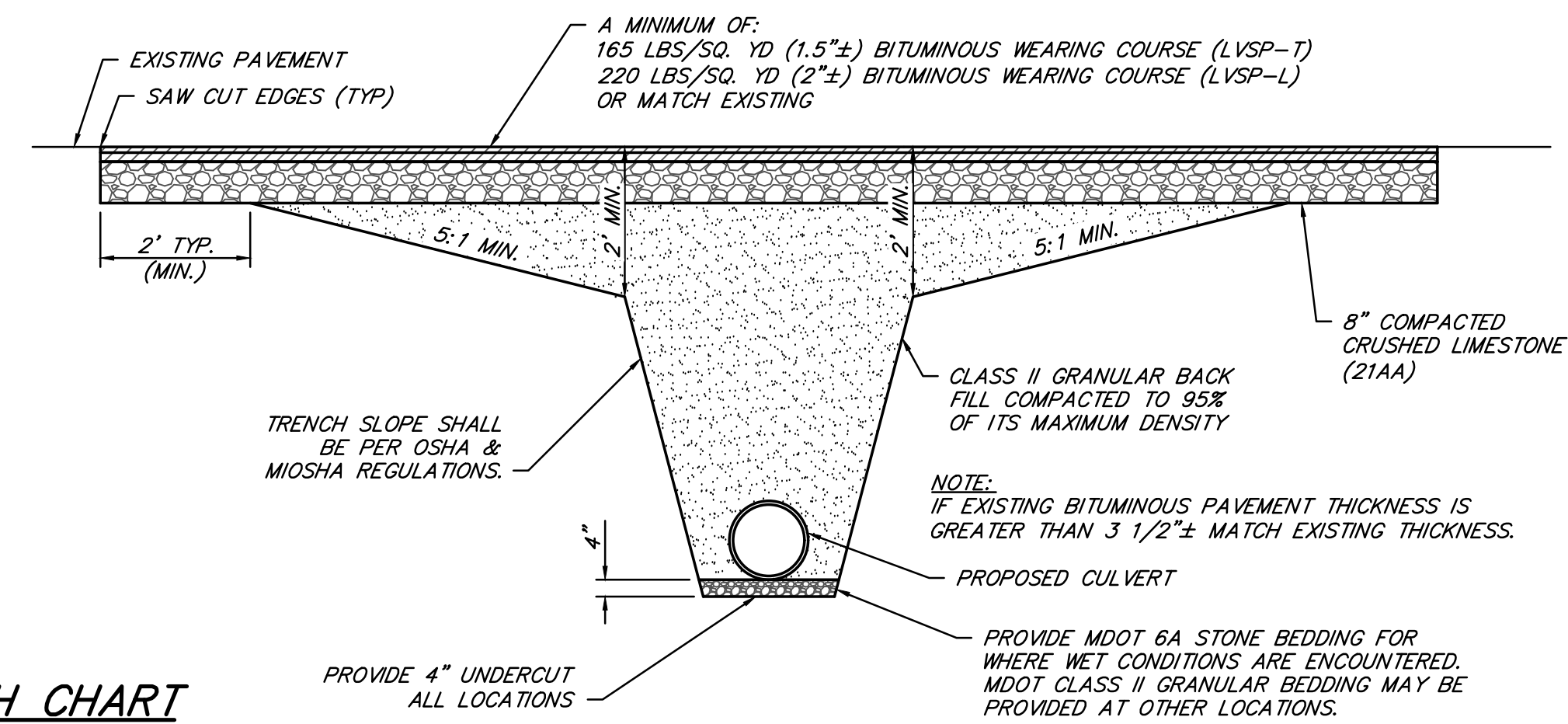
**TWO STAGE CHANNEL - DETAIL "A"**

NOT TO SCALE



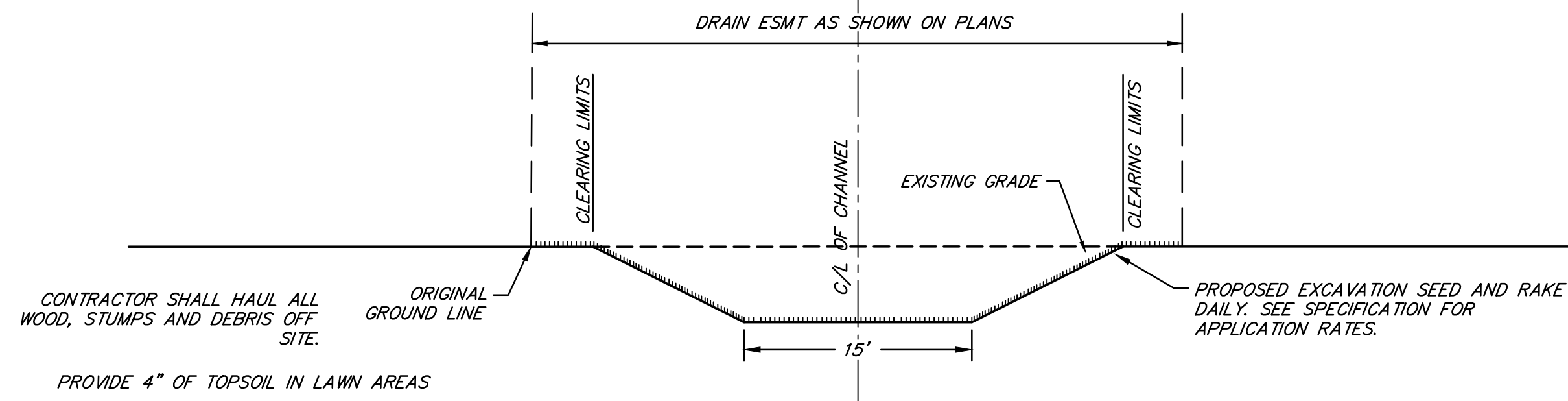
**TYPICAL HP STORM SEWER TRENCH DETAIL**

NOT TO SCALE



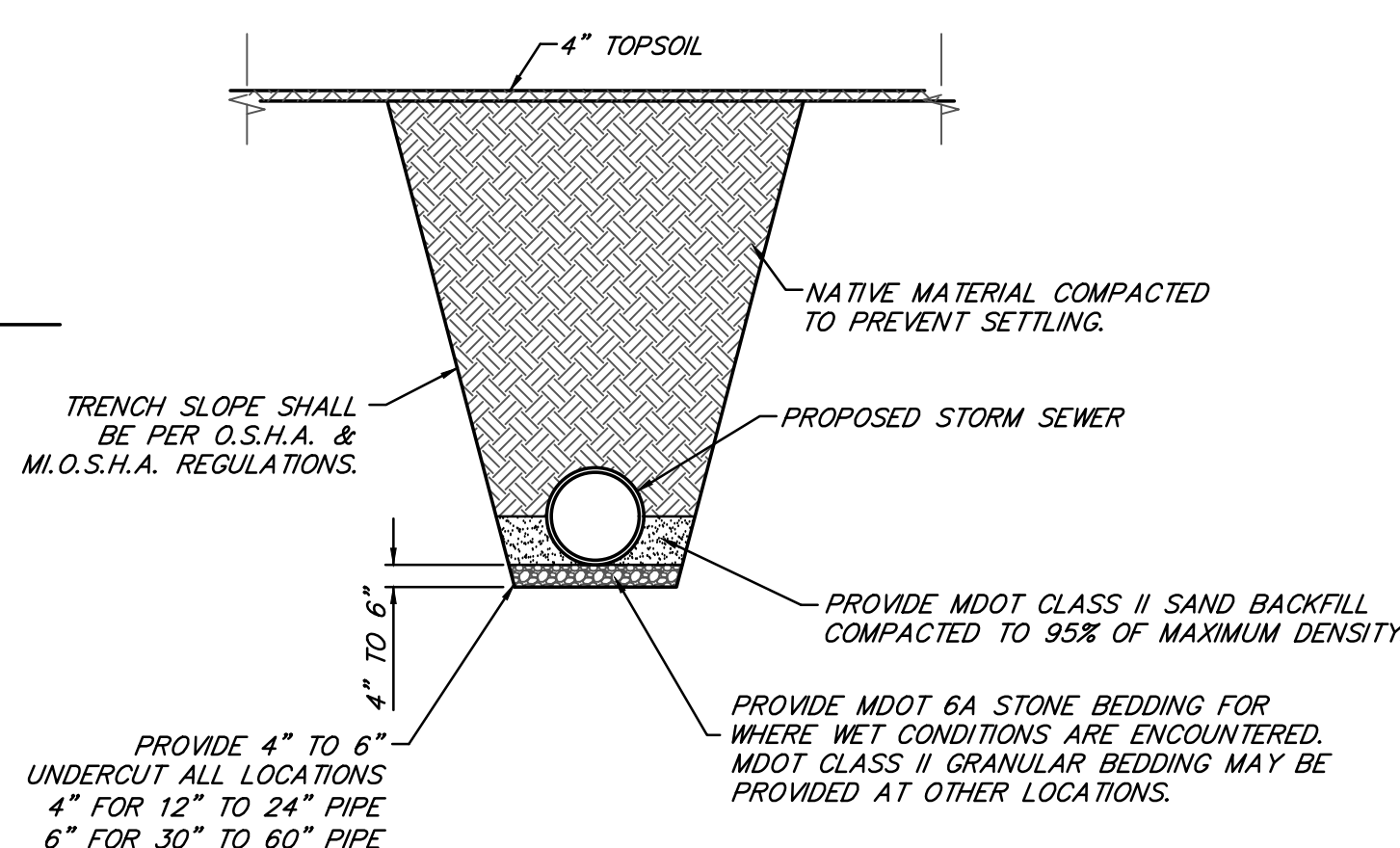
**SCRC BITUMINOUS PAVEMENT RESTORATION**

NOT TO SCALE



**OVERFLOW - DETAIL "B"**

NOT TO SCALE

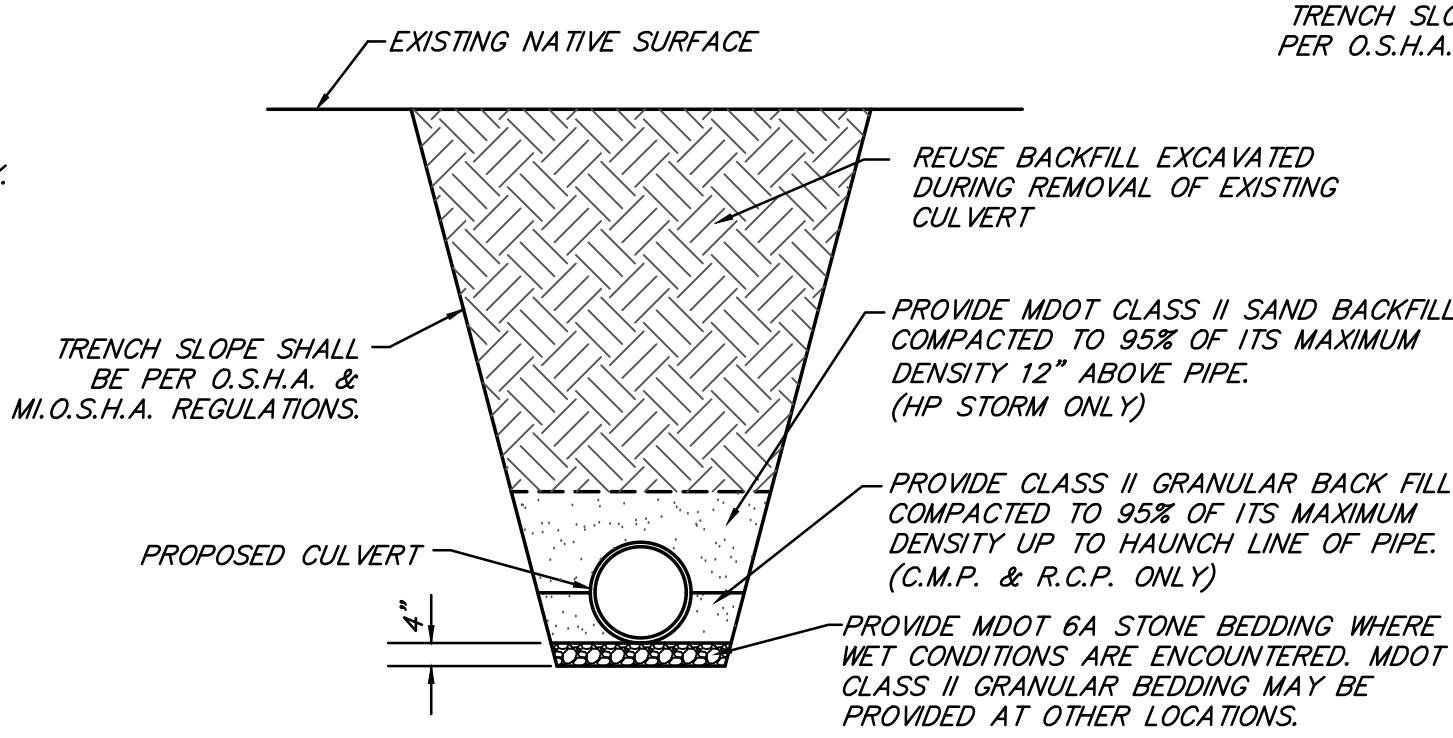


**TYPICAL RCP STORM SEWER TRENCH DETAIL**

NOT TO SCALE

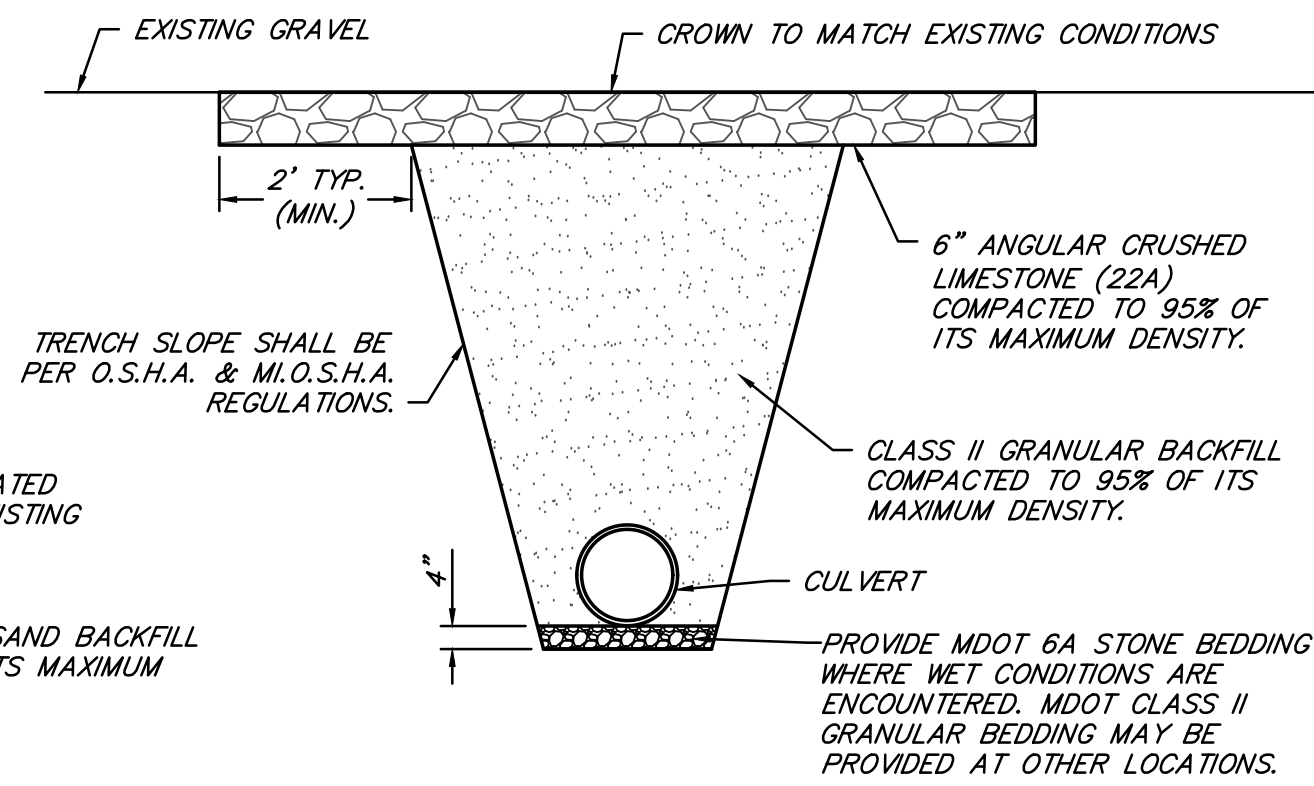
**TRENCH WIDTH CHART**

PIPE SIZE	MINIMUM	MAXIMUM
8" & 10"	24"	30"
12" & 15"	30"	36"
18"	34"	40"
21"	38"	42"
24"	42"	46"
27"	45"	49"
30"	49"	53"
36"	56"	60"
LARGER THAN 36"	I.D. +20"	I.D. +24"



**TYPICAL NATIVE DRIVE CROSSING DETAIL**

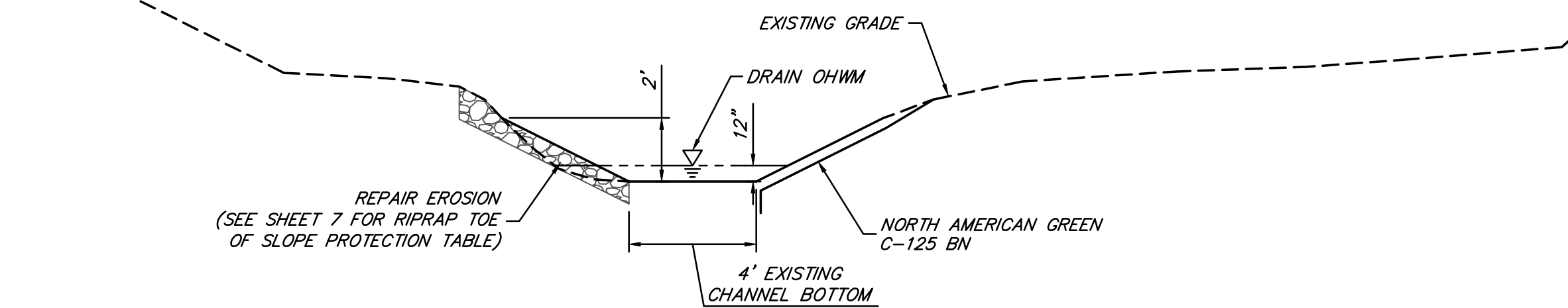
NOT TO SCALE



**TYPICAL GRAVEL DRIVE CROSSING DETAIL**

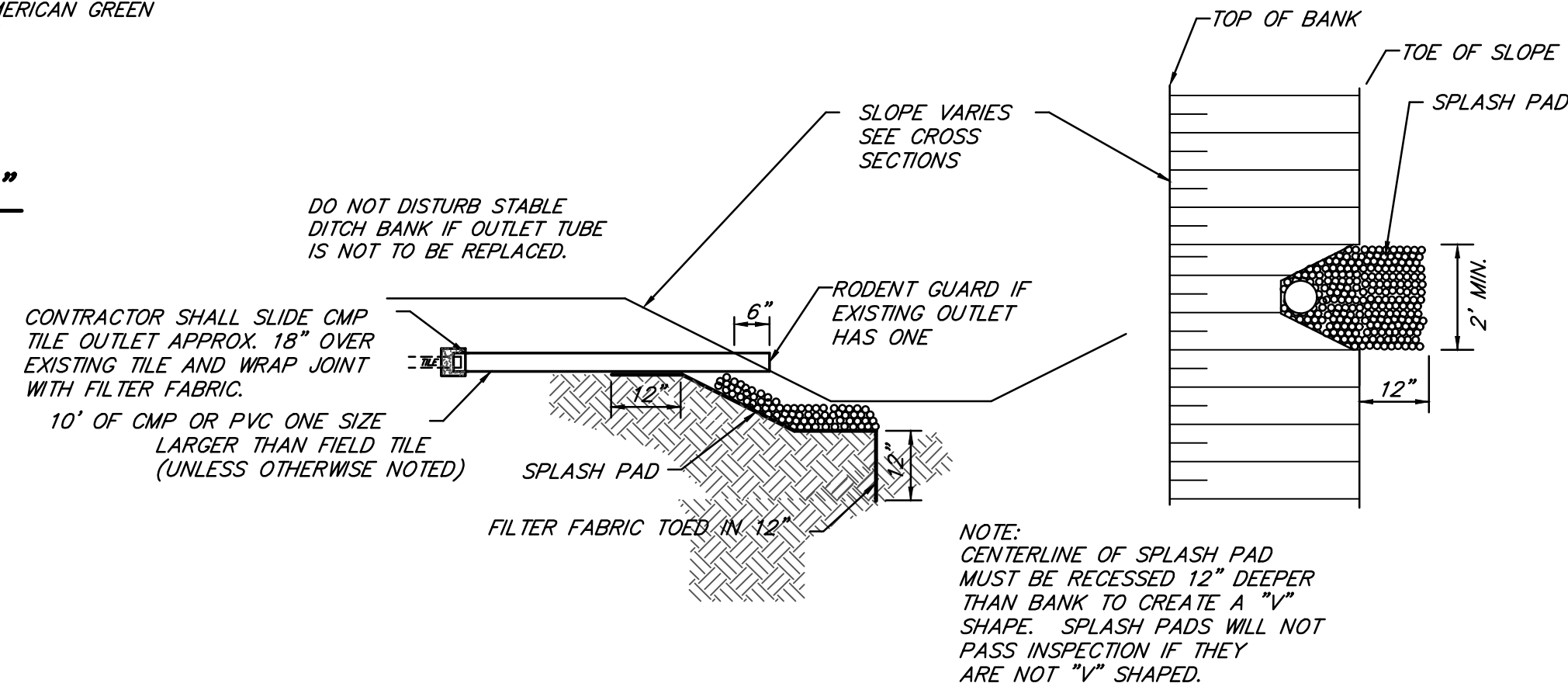
NOT TO SCALE

- NOTE:
- PROPOSED WORK IN THE CHANNEL ONLY.
  - SPOILS TO BE LEVELED IN DESIGNATED SPOIL LEVELING AREA AS SHOWN ON SHEET 7.



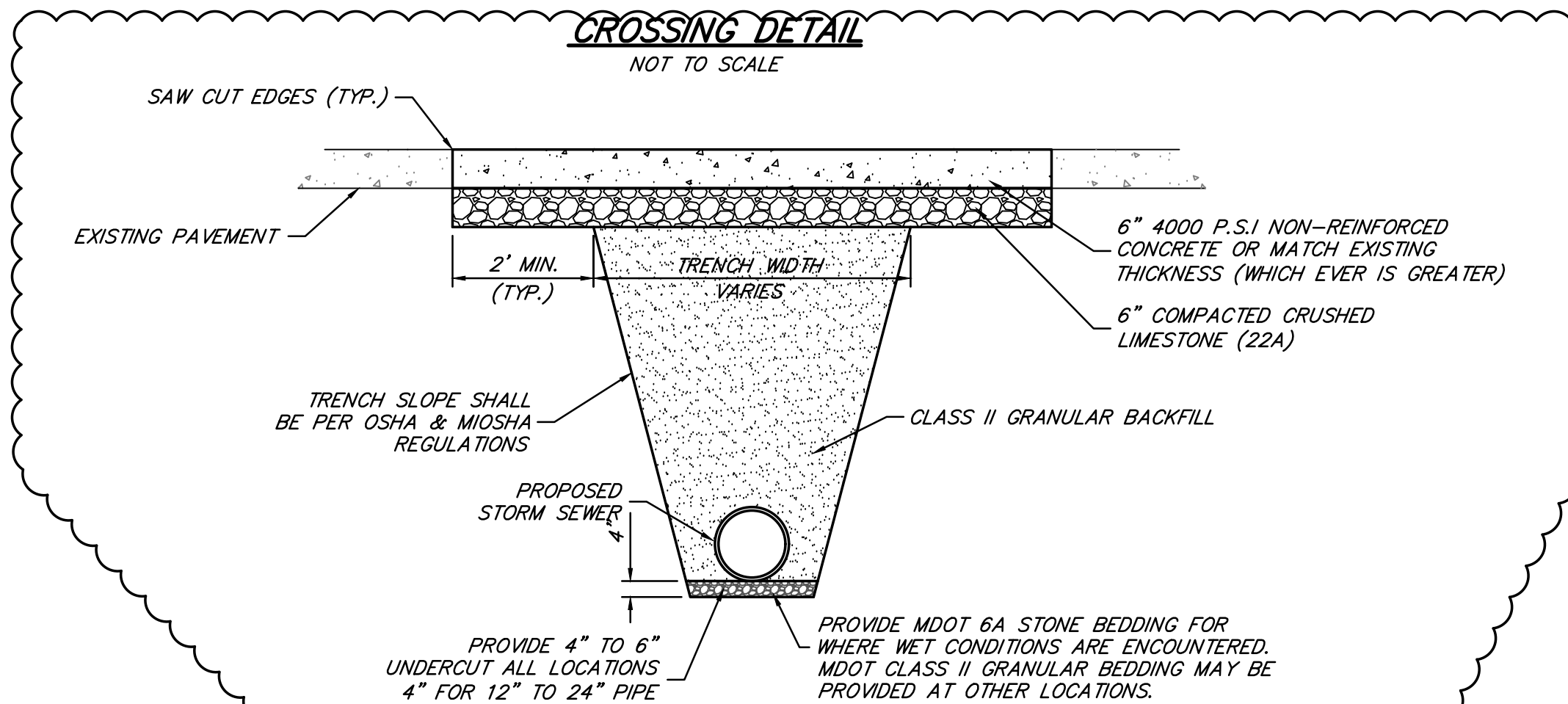
**CHANNEL RESTORATION - DETAIL "C"**

NOT TO SCALE



**FIELD TILE OUTLET DETAIL & SPLASH PAD DETAIL**

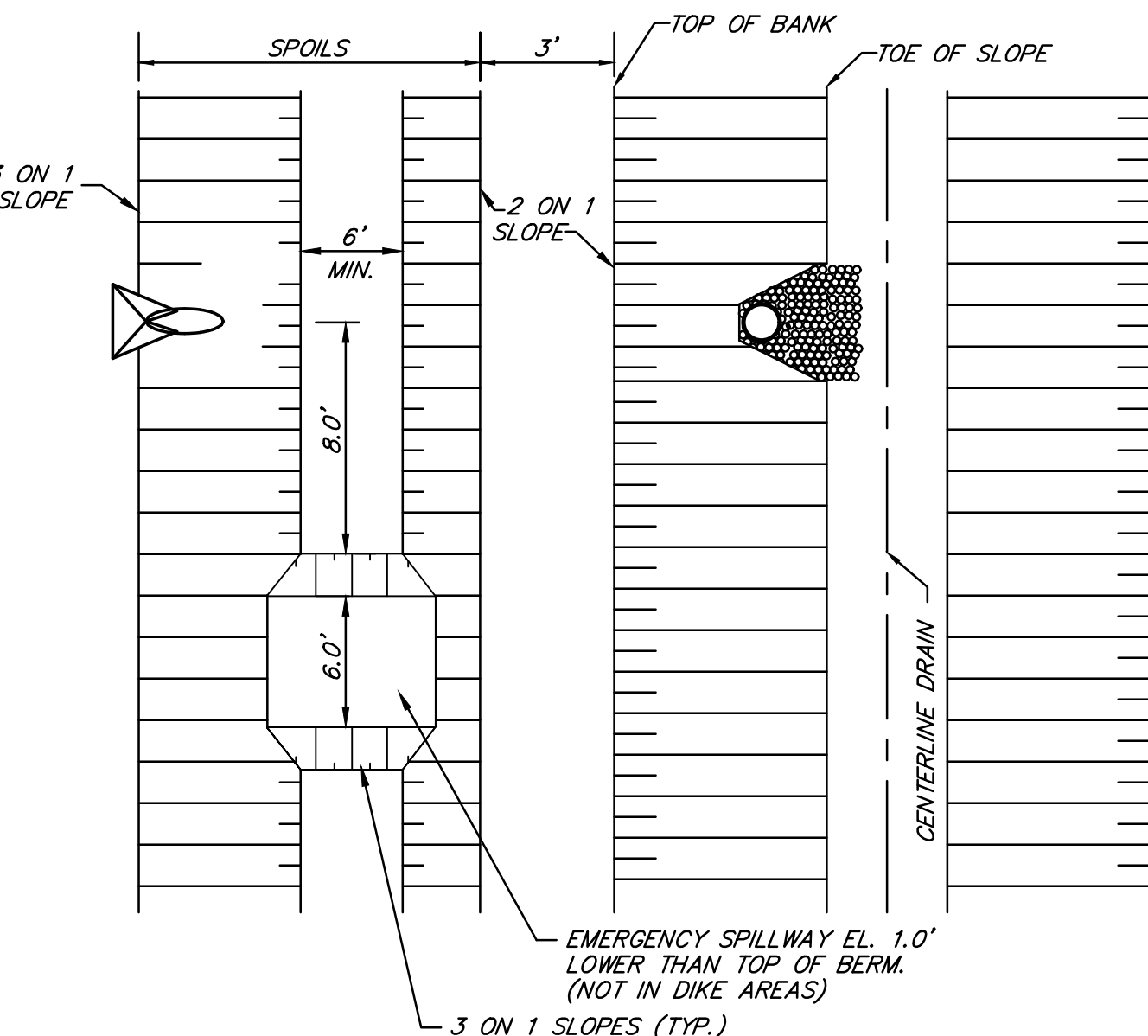
NOT TO SCALE



**TYPICAL CONCRETE DRIVEWAY REPAIR DETAIL**

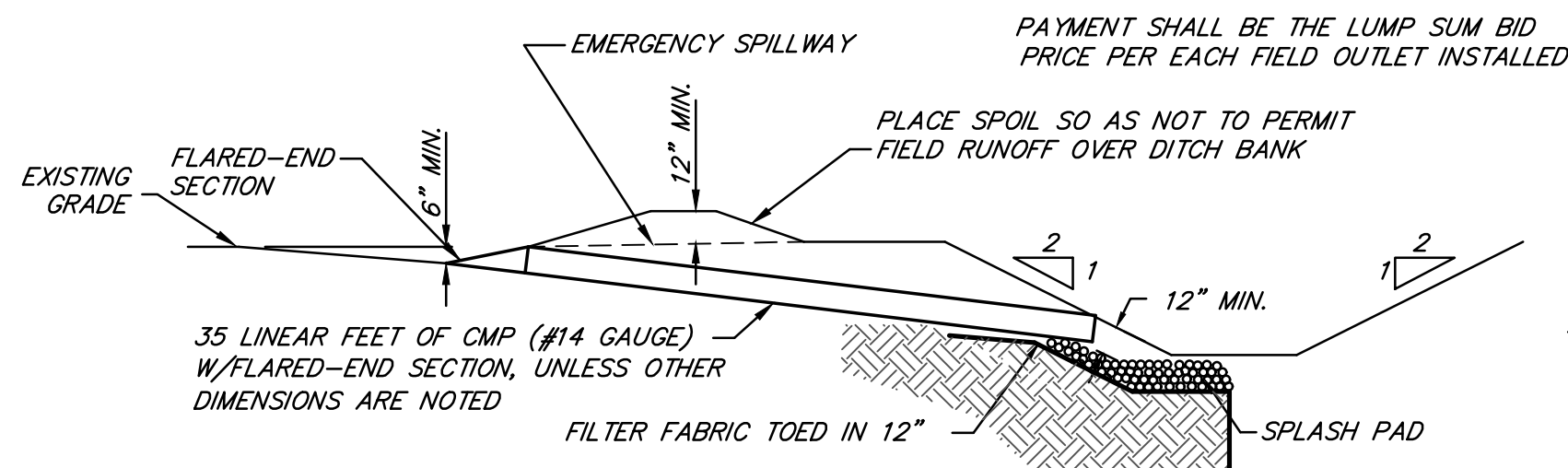
NOT TO SCALE

NOTE: ALL DISTURBED AREAS SHALL BE COMPACTED TO 95% MAXIMUM DENSITY.



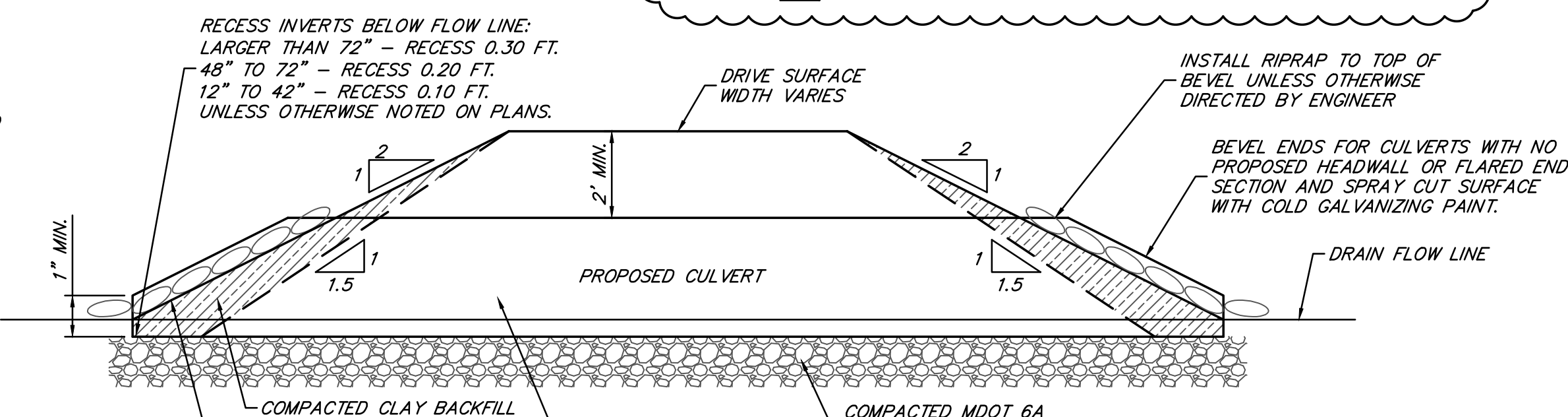
**SURFACE OUTLET TUBE DETAIL EROSION CONTROL STRUCTURE TYPE II**

NOT TO SCALE



**CMP CROSSING DETAIL**

NOT TO SCALE



**TYPICAL CONCRETE DRIVEWAY REPAIR DETAIL**

NOT TO SCALE

NOTE: ALL DISTURBED AREAS SHALL BE COMPACTED TO 95% MAXIMUM DENSITY.

POC	3	ADDENDUM NO. 3	10/22/2020
BY	MARK	REVISIONS	DATE

THE WORK REPRESENTED BY THIS DRAWING WAS DESIGNED BY THE ENGINEER FOR THIS SPECIFIC APPLICATION AND SPECIFIC LOCATION DESCRIBED HEREON IN ACCORDANCE WITH THE CONDITIONS PREVALENT AT THE TIME THE DESIGN WAS DONE. THE ENGINEER DOES NOT GUARANTEE AND WILL NOT BE LIABLE FOR ANY OTHER LOCATION, CONDITION, DESIGN OR PURPOSE.

WEBSTER DRAIN  
SAGINAW COUNTY, MICHIGAN

MISCELLANEOUS DETAILS

**Spicer Group**  
SAGINAW OFFICE  
230 S. Washington Ave.  
Saginaw, MI 48607  
Tel. 989-754-4717  
Fax. 989-754-4440  
www.SpicerGroup.com

DE. BY: POC CH. BY: LDO PROJECT NO. 122778SG2015  
DR. BY: POC APP. BY: RBH

S.TDS. SHEET 10 OF 13 DR 10  
DATE: OCTOBER, 2020 FILE NO. DR-3179-10  
SCALE: NOT TO SCALE